



PRE-ENGINEERING | PRE-FABRICATED
SMART BUILDING

STEEL BUILDING MATRIX

Unit of Engineers Wizard (P) Limited

www.steelbuildingmatrix.in

Email: steelbuildingmatrix@gmail.com

Phone: +91-9811255653 | 01129949989

www.steelmatrix.webs.com

DESIGN | ENGINEERING | FABRICATION | SITE INSTALLATION

Next Gen Building

ABOUT STEEL BUILDING MATRIX

Steel Building Matrix is a Unit of well known Engineering and Construction Company Engineers Wizard Pvt. Ltd. Based in Okhla New Delhi with branch office in Haryana, Uttrakhand and Uttar Pradesh.

Engineers Wizard incorporated in 2006 by Er. Bahar E Alam, civil engineering professional and become Engineers Wizard Pvt. Ltd in 2012 and achieved new heights and benchmarks in civil construction, Landscape construction.

Engineers Wizard Pvt. Ltd. Introduced new building construction technology as an associates of **Everest Building System and FrameCAD Technology Newzeland** in 2008 and constantly doing Steel building construction for Residential, Commercial and Industrial Projects.

Today, Engineers Wizard Pvt. Ltd. with a proven track record of completing prestigious projects within the scheduled time and quality parameters to the customer's satisfaction, we are in process of certification of ISO system, Environmental Management and Occupational Health & Safety.

We aspire to meet our client's requirement on all levels. Our experienced staff will go to any length to ensure this.



MISSION

To establish long-term working relationships with our
Clients based on a clear Understanding
Of their Objectives
And Standards.

VISION

We shall be the company of first choice
Of all Clients, Employees, Suppliers,
Trade partners and the
Society.

FACT SHEET OF ENGINEER'S WIZARD

Head office at Delhi with branch office in U.P, Uttrakhand and Haryana.

Well furnished office with telephone and internet facility, office area 2000 SFT.

Technically qualified management staff for Project Management & execution.

Qualified team of engineers for successfully supervision and timely execution of project.

Dedicated team for bar binding, shuttering and scaffolding, PCC, RCC, Stone, Tiles, Civil Work, Electric Work, false ceiling, fabrication of aluminum and steel work, painting, and polishing, customized wood work.

On role 35 employees.

Separate team of skilled labor for after sales support.

Company owned vehicles like cars and bikes for manpower traveling.

OUR CULTURE AND VALUE

Our positive work culture underpins our business and is a key driver of our future growth. We measure the link between the success of business and our work culture as also progress to our goal of becoming the Company of first choice of the employees and clients. Our culture encourages every employee to take extra steps to turn an ordinary service into extra ordinary. It values collaboration, both internally and with our clients & trade partners.

WORKING SECTORS

Corporate Offices

Commercial Spaces

Financial institutions

Banks

Resorts

Hotels

Hospitals

Farm Houses

Residences

Club Houses

Roof Top Extension

School & Institutions

Luxury Tent Homes

SERVICES

Interiors

False ceiling

Wood Works

Fabrication

Paint & Polish

Windows | Glass

Tiles | Stones

POP | Gyp Plaster

Waterproofing

MEP Services

HVAC

Plumbing

Networking

Electricals

Construction

Bricks Works

Concrete

Fit-Outs

Work Stations

Chairs

Cabinets

Storages

Branding

Cement Plaster

IPS Flooring

LIGHT GAUGE STEEL BUILDING

Light Gauge Steel Building construction is a steel Structure Building system for quick construction, dry construction with high Interior Finish these building are best designed for large openings, balcony and heights, in which the whole load bearing systems are produced of steel and which is prefabricated with GI Zinc coated coil called light gauge steel and best suitable for residential, Hospitality, commercial, factory buildings, sports facilities, Resort Construction in geographical regions with high earthquake risk and the luxury accommodation and living space in heritage conservation site.



DESIGN | ENGINEERING | FABRICATION | SITE INSTALLATION

Next Gen Building

WHY USE LIGHT GAUGE STEEL FRAMING SYSTEM

BENEFITS

Dry Construction: Steel Building Technology is dry construction technology and we can build a Luxury Home without and use of water, cement and without any excavation.

Buildability: The use of pre-fabricated and preassembled steel components reduces site works, reduces material waste and improves quality, construction without water and cement and not considered in FAR.

Speed: This system requires a shorter (1/4) th construction period compared to that for a conventional system.

Strong but Lightweight: Steel has one of the highest strength-to-weight ratios of any construction material. These results in savings in the foundation required and the lightness also makes for easier on-site handling.

Safety: Steel's inherent strength and noncombustible qualities enable light steel frame houses to resist such devastating events as fires, earthquakes, and hurricanes. Homes can be designed to meet the highest seismic and wind load specifications in any part of the country.

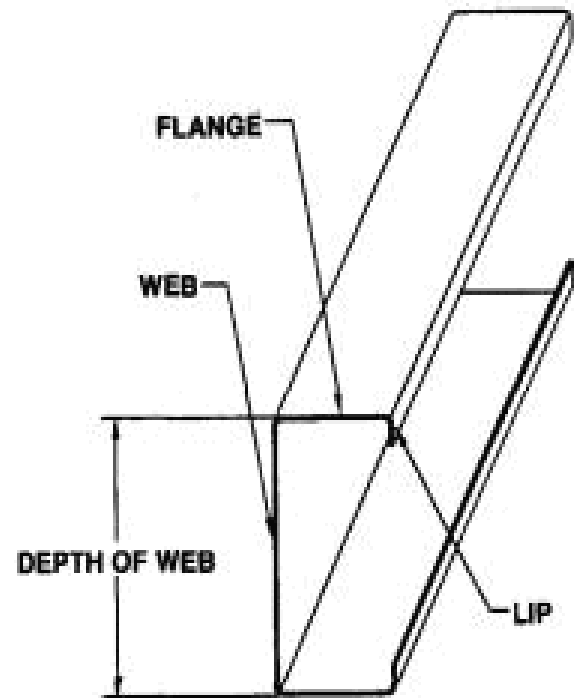
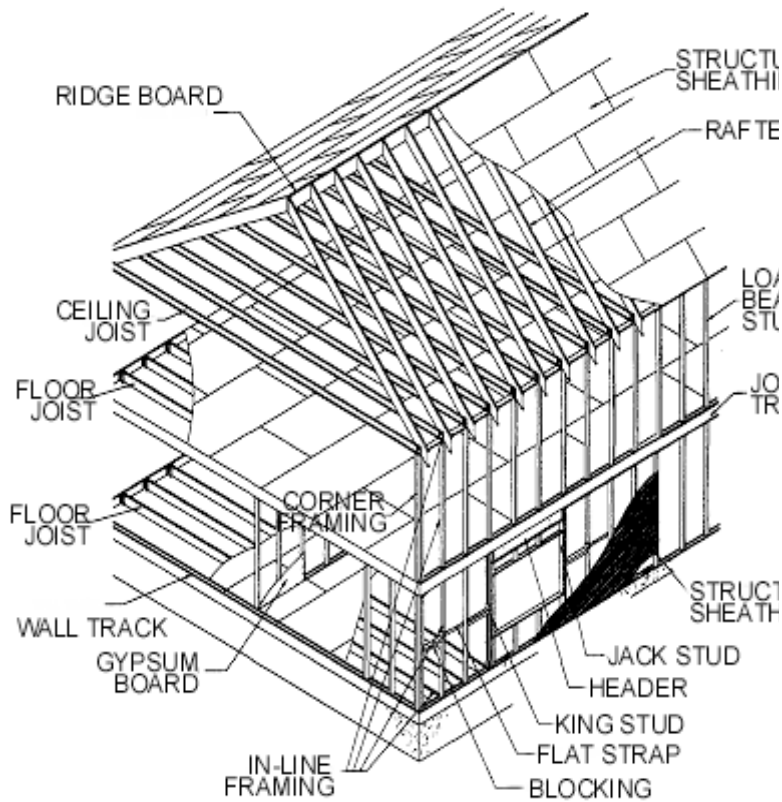
Quality: A better quality finished house that is durable and low in maintenance.

Easy to Remodel: Remodeling can be easily accomplished. Non-load bearing walls can be readily relocated, removed or altered.

Design Flexibility: Because of its strength, steel can span longer lengths, offering larger open spaces and increased design flexibility without requiring intermediate columns or load bearing walls.

Recyclable: All steel products are recyclable.

STEEL FRAMING BUILDING SYSTEM & COMPONENT



PROJECT PHOTOS



DESIGN | ENGINEERING | FABRICATION | SITE INSTALLATION

Next Gen Building



DESIGN | ENGINEERING | FABRICATION | SITE INSTALLATION

Next Gen Building



Engineer's Wizard Pvt Ltd

DESIGN | ENGINEERING | FABRICATION | SITE INSTALLATION

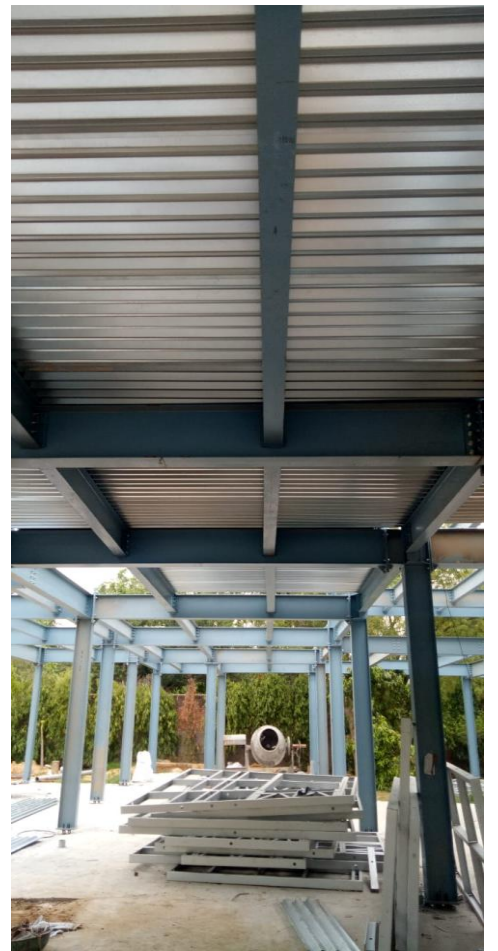
Next Gen Building

DRY BUILDING CONSTRUCTION WITHOUT ANY FOUNDATION EXCAVATION



DESIGN | ENGINEERING | FABRICATION | SITE INSTALLATION

Next Gen Building



DESIGN | ENGINEERING | FABRICATION | SITE INSTALLATION

Next Gen Building

WALL SYSTEM

LOAD BEARING WALLS & NON LOAD BEARING WALLS



DESIGN | ENGINEERING | FABRICATION | SITE INSTALLATION

Next Gen Building



DESIGN | ENGINEERING | FABRICATION | SITE INSTALLATION

Next Gen Building



Engineer's Wizard Pvt Ltd

DESIGN | ENGINEERING | FABRICATION | SITE INSTALLATION

Next Gen Building



DESIGN | ENGINEERING | FABRICATION | SITE INSTALLATION

Next Gen Building



DESIGN | ENGINEERING | FABRICATION | SITE INSTALLATION

Next Gen Building



DESIGN | ENGINEERING | FABRICATION | SITE INSTALLATION

Next Gen Building



DESIGN | ENGINEERING | FABRICATION | SITE INSTALLATION

Next Gen Building



DESIGN | ENGINEERING | FABRICATION | SITE INSTALLATION

Next Gen Building



DESIGN | ENGINEERING | FABRICATION | SITE INSTALLATION

Next Gen Building



DESIGN | ENGINEERING | FABRICATION | SITE INSTALLATION

Next Gen Building



DESIGN | ENGINEERING | FABRICATION | SITE INSTALLATION

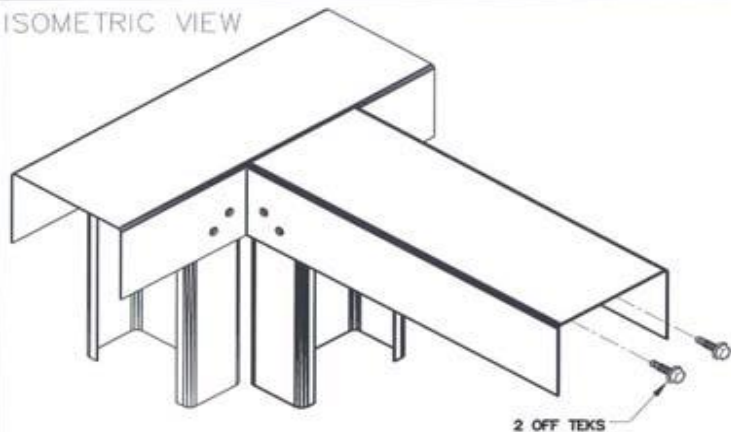
Next Gen Building



DESIGN | ENGINEERING | FABRICATION | SITE INSTALLATION

Next Gen Building

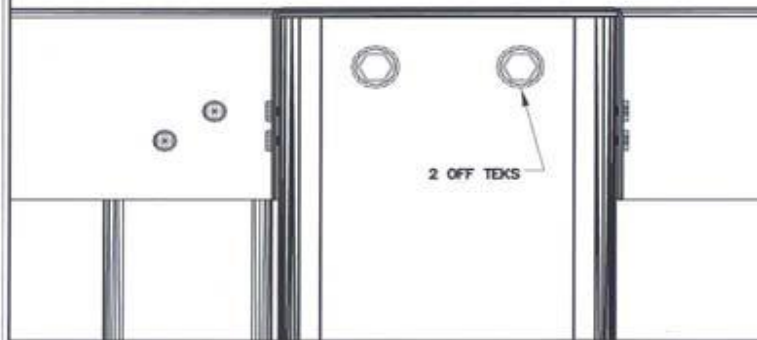
ISOMETRIC VIEW



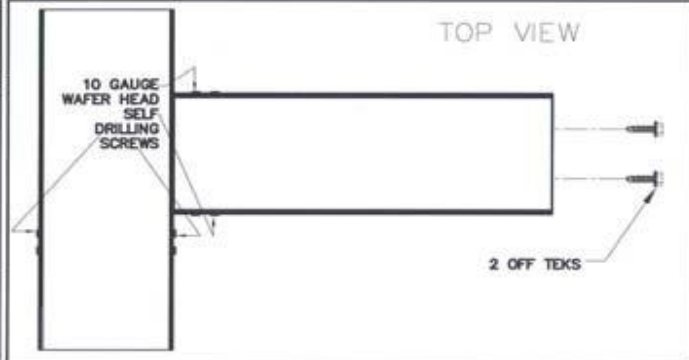
END VIEW



SIDE VIEW



TOP VIEW

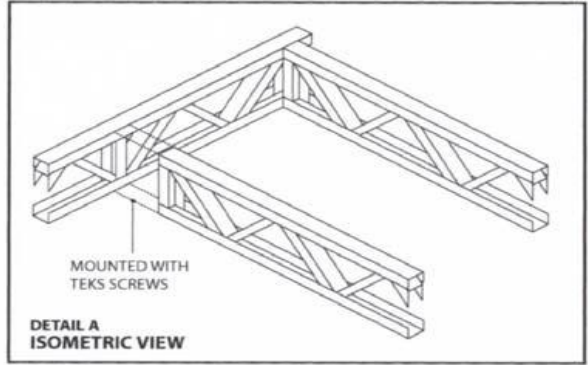
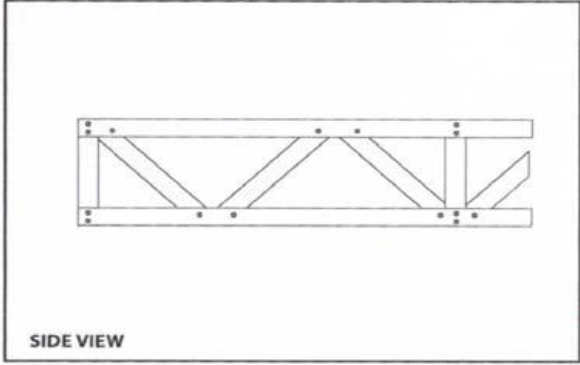
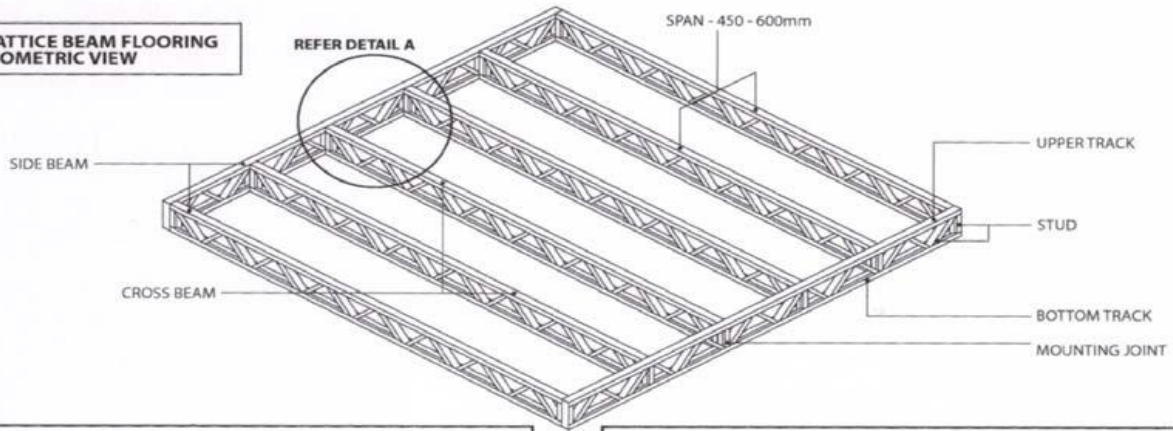


SCALE: NOT TO SCALE

BHP Steel Lyngby
(Singapore) Pte Ltd
200, North Bridge Road, Singapore



**LATTICE BEAM FLOORING
ISOMETRIC VIEW**





DESIGN | ENGINEERING | FABRICATION | SITE INSTALLATION

Next Gen Building



DESIGN | ENGINEERING | FABRICATION | SITE INSTALLATION

Next Gen Building



DESIGN | ENGINEERING | FABRICATION | SITE INSTALLATION

Next Gen Building



DESIGN | ENGINEERING | FABRICATION | SITE INSTALLATION

Next Gen Building



DESIGN | ENGINEERING | FABRICATION | SITE INSTALLATION

Next Gen Building



DESIGN | ENGINEERING | FABRICATION | SITE INSTALLATION

Next Gen Building



DESIGN | ENGINEERING | FABRICATION | SITE INSTALLATION

Next Gen Building



DESIGN | ENGINEERING | FABRICATION | SITE INSTALLATION

Next Gen Building



DESIGN | ENGINEERING | FABRICATION | SITE INSTALLATION

Next Gen Building

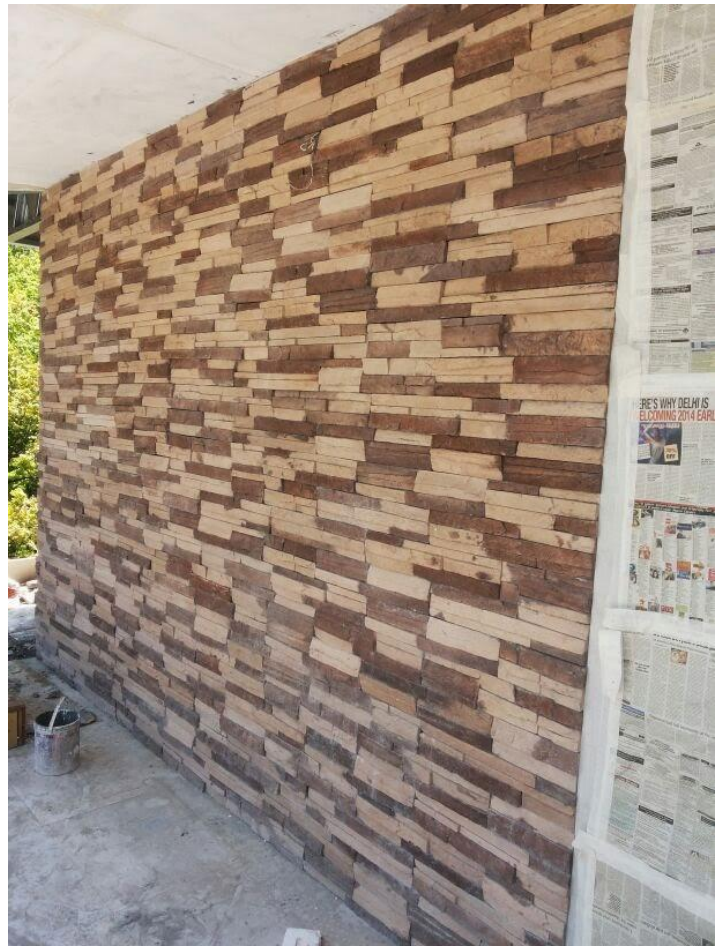
INTERIOR & EXTERIOR FINISH

WHAT CAN YOU THINK WE WILL DO IT AS INTERIOR & EXTERIOR FINISH!



DESIGN | ENGINEERING | FABRICATION | SITE INSTALLATION

Next Gen Building



DESIGN | ENGINEERING | FABRICATION | SITE INSTALLATION

Next Gen Building



DESIGN | ENGINEERING | FABRICATION | SITE INSTALLATION

Next Gen Building



DESIGN | ENGINEERING | FABRICATION | SITE INSTALLATION

Next Gen Building



DESIGN | ENGINEERING | FABRICATION | SITE INSTALLATION

Next Gen Building



DESIGN | ENGINEERING | FABRICATION | SITE INSTALLATION

Next Gen Building



DESIGN | ENGINEERING | FABRICATION | SITE INSTALLATION

Next Gen Building



DESIGN | ENGINEERING | FABRICATION | SITE INSTALLATION

Next Gen Building



DESIGN | ENGINEERING | FABRICATION | SITE INSTALLATION

Next Gen Building



DESIGN | ENGINEERING | FABRICATION | SITE INSTALLATION

Next Gen Building



DESIGN | ENGINEERING | FABRICATION | SITE INSTALLATION

Next Gen Building



DESIGN | ENGINEERING | FABRICATION | SITE INSTALLATION

Next Gen Building

OUR FUTURED CREATIONS



DESIGN | ENGINEERING | FABRICATION | SITE INSTALLATION

Next Gen Building



DESIGN | ENGINEERING | FABRICATION | SITE INSTALLATION

Next Gen Building



DESIGN | ENGINEERING | FABRICATION | SITE INSTALLATION

Next Gen Building



DESIGN | ENGINEERING | FABRICATION | SITE INSTALLATION

Next Gen Building



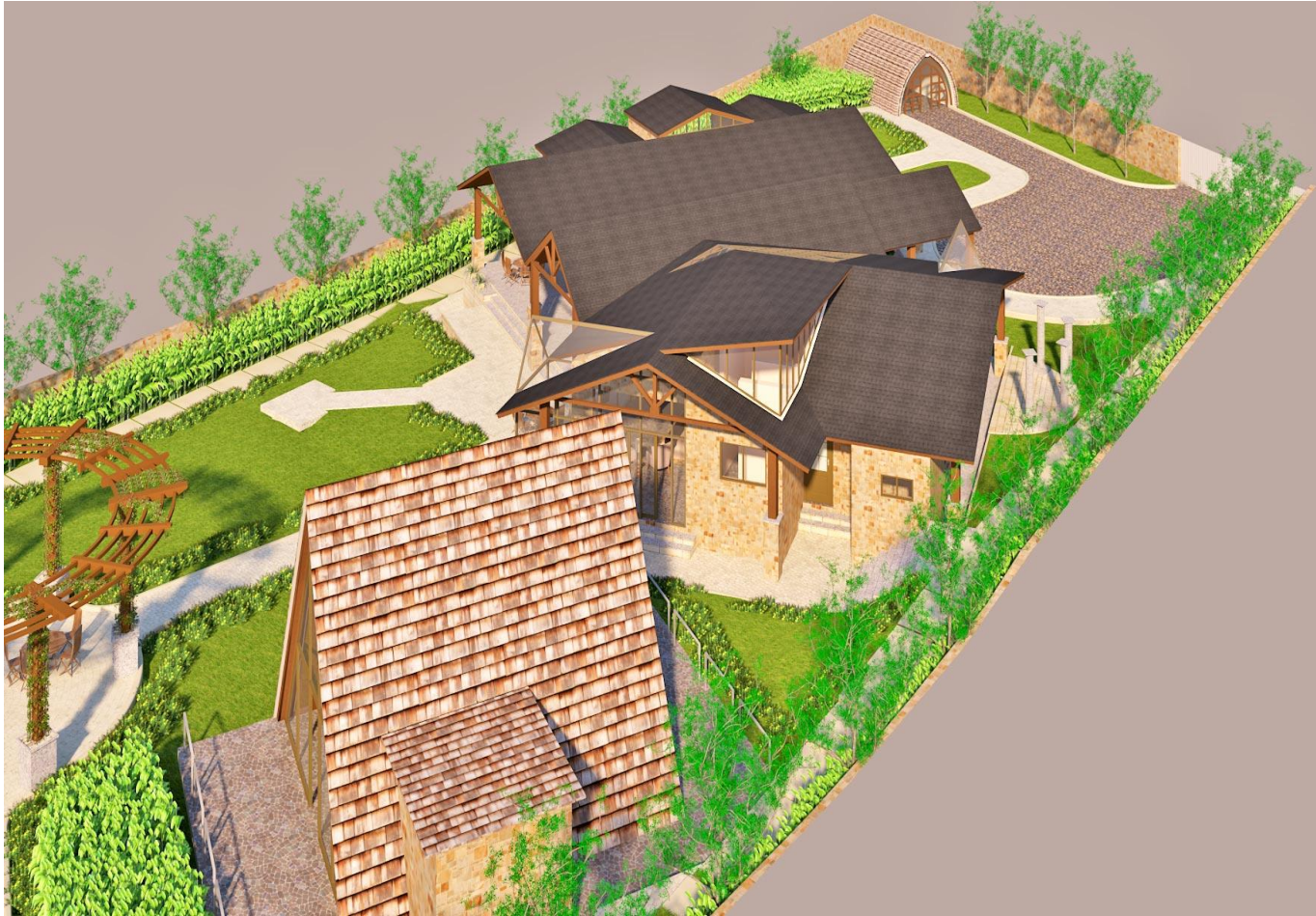
DESIGN | ENGINEERING | FABRICATION | SITE INSTALLATION

Next Gen Building



DESIGN | ENGINEERING | FABRICATION | SITE INSTALLATION

Next Gen Building



DESIGN | ENGINEERING | FABRICATION | SITE INSTALLATION

Next Gen Building



DESIGN | ENGINEERING | FABRICATION | SITE INSTALLATION

Next Gen Building

CLIENT'S LIST



**Oerlikon
graziano**





SIS Group Enterprises
A Market Leader in Security and Business Support Services

DESIGN | ENGINEERING | FABRICATION | SITE INSTALLATION

Next Gen Building

PLANNED MOBILIZATION MACHINERY AT PROJECT SITE

Earth Work Related Machinery	Structure Related Machinery	Finishing Related Machinery
JCB Excavator Loader	Mini Batching Plants	Dewatering Pumps
Auto Level-Total Station	Mixers	Power Floater
Bob Cat	Vibrators	Cutter Machines
Earth Compactor	Concrete Cutters	Air Compressor
Dumpers	Desolation Hammer	Gliders
Road Rollers	Mobile Cranes	Vacuum Pumps
Tractors	DG Sets	Water Pumps
Lift Trucks	Hydraulic Breakers	Welding Machines

QUALITY & SAFETY OBJECTIVE

In Consonance with our Integrated Management approach in delivery of the end product in Steel Building technology and Civil Infrastructure development, We will stand by our Long term Quality Objectives of producing functionally efficient buildings by adopting all inclusive approach of Design, Materials, Construction technology and workmanship.

We are Sensitive to Cost and Time overruns in Projects and will strive to apply management Controls on both these issues.

Our Safety Objectives are driven by the Safety Policy and we will strive to prevent accidents and achieve Zero Tolerance level for injuries in execution while Complying with all the applicable Legislation/ Regulations in respect of Safe Construction Practices which helps us to high end quality with in time frame.

THANK YOU!

CONTACT US:

Steel building Matrix

(Unit of Engineers Wizard P Ltd.)

G-77/2 Behind Richlook Opp Metro Depot

Kalandi Kunj Shaheen Bagh Okhla

New Delhi – 110025

Phone:-011-29949989

Mobile: - 09871357278 | 09811255654 | 9811255653

Email:- engineers.wizard@gmail.com | steelbuildingmatrix@gmail.com

Website:- www.steelmatrix.webs.com

DESIGN | ENGINEERING | FABRICATION | SITE INSTALLATION

Next Gen Building